



DIN 17.5mm

Features :

- 15 Functions
- 8 Time Ranges
- Front Key Pad Setting
- Universal supply voltage
- Slim, Space Saving Design
- DIN Rail Mount

Certifications :



Input Specifications

Accuracy	Setting : $\pm 0.1\%$ of set time or $\pm 50\text{msec}$ (whichever is greater) For Y contact operation : $+100\text{msec}$ Repeat : $\pm 0.1\%$
----------	---

Output Specifications

Relay Contact	1 C/O SPDT
Contact Rating	8A @ 250V AC

Functional Specifications

Modes	On delay (A) Interval (B) Asymmetrical cyclic OFF first (C) Asymmetrical cyclic ON first (D) Cyclic equal OFF first (E) Cyclic equal ON first (F) Pulse output (H) Delay on break (J) Delay on make / break (K) Interval after break (L) Single shot (P) Retriggerable Single shot (Q) Latching relay (R) Delay on Break with Totalise (T) Interval with Totalise (U)
Time Ranges	0 - 99.9sec / min /hr 0 - 999sec / min / hr 0 - 9:59min : sec 0 - 9:59hr : min
Counting Direction	Down
Memory	Yes (selectable)
Resolution	0.1sec
Reset	Front Key, On power interruption Reset time < 100msec

Auxiliary Supply Specifications

Supply Voltage	20 to 240V AC/DC (50 / 60Hz)
Power Consumption	4VA max

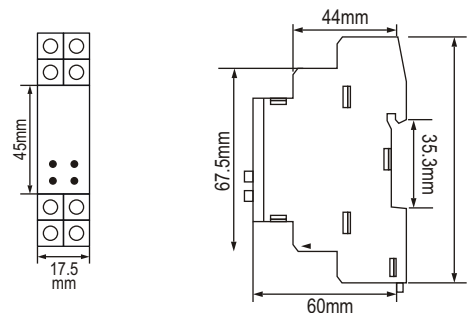
Environmental Specifications

Temperature	Operating : 0 to 50°C (32 to 122°F) Storage : -20 to 75°C (-4 to 167°F)
Humidity (non-condensing)	95% RH

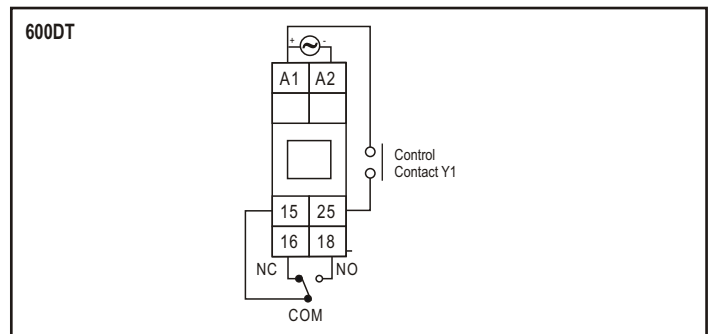
Mechanical Specifications

Mounting	Din Rail Mount
Weight	70gms

Dimensions



Terminal Connections



Compliance

Applicable EMI / EMC Standards		
Product Standard		
Category	Reference Standards	Testing Level
Electrostatic Discharge	IEC 61000-4-2	Level-3
Electrical Fast Transient / Burst	IEC 61000-4-4	Level-3
Electromagnetic Field	IEC 61000-4-3	Level-3
Surge	IEC 61000-4-5	Level-3
Conducted RF	IEC 61000-4-6	Level-2
Rated Power Frequency	IEC 61000-4-8	Level-4
Voltage Dip / Short Interruptions	IEC 61000-4-11	Level-3
Conducted Emissions	CISPR-11	Class-B
Rated Emissions	CISPR-22	Class-A
Emission & Immunity	IEC 61326-1	
Safety	IEC 61010-1	

Ordering Information

Product Code	Supply Voltage	Certification	
		CE	UL US LISTED 4576 IND. CONT. EQ.
600DT	20 to 240V AC/DC	■	
600DT-CU	20 to 240V AC/DC	■	■